

when
reliability
is **everything**

Developed for outstanding performance and genuine value for money, the award-winning* range of Mitsubishi forklift trucks and warehouse equipment is built to a higher specification to maximise productivity and ensure utter reliability... whatever the application.

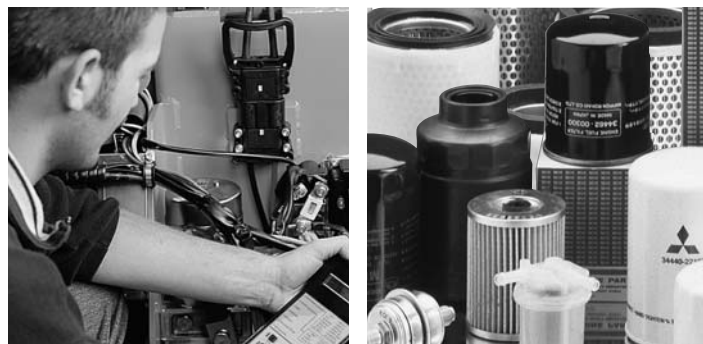
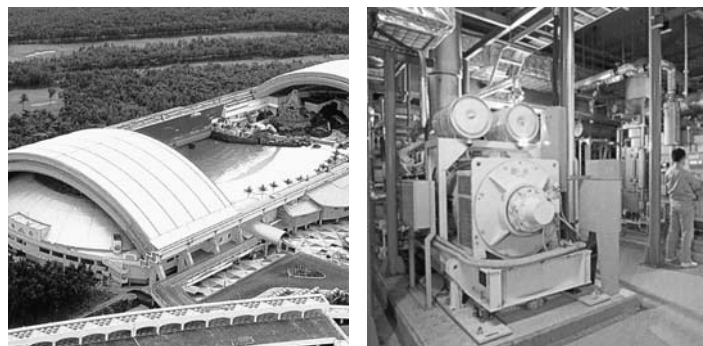
It's what you'd expect from one of the world's largest corporations whose companies are at the leading edge of technologies where performance, quality and dependability can never be compromised.

It means that, from a single safe source, we can meet 98% of all handling requirements, supplied to you via a range of competitive finance options including outright purchase, rental or leasing. So your local dealer can advise you on precisely the right product for your application... and your budget.

Moreover, because we understand how much you depend on your Mitsubishi forklift truck, we deliver the highest levels of customer support.

Through a network of carefully selected dealerships, we provide quality maintenance and customer care programmes including a choice of warranties that give complete peace of mind. Every dealership holds extensive stocks of manufacturer-approved parts, backed by a central store that holds literally millions of items constantly in stock and achieves a first-pick fulfilled rate of 97%. So your truck can be fixed first time, virtually every time.

* Mitsubishi Forklift Trucks has won **four** separate Fork Lift Truck Association Annual Awards for Excellence covering the areas of **Ergonomics**, the **Environment** and **Innovation**.



WESM0969 (10/07) ok
© 2007 MCFE
Printed in The Netherlands

mitforklift@mcf.nl
www.mitforklift.com

NOTE: Performance specifications may vary depending on standard manufacturing tolerances, vehicle condition, types of tyres, floor or surface conditions, applications or operating environment. Trucks may be shown with non-standard options. Specific performance requirements and locally available configurations should be discussed with your distributor of Mitsubishi forklift trucks. Mitsubishi follows a policy of continual product improvement. For this reason, some materials, options and specifications could change without notice.



**Stand-on
Power Pallet**
2.0 tonnes

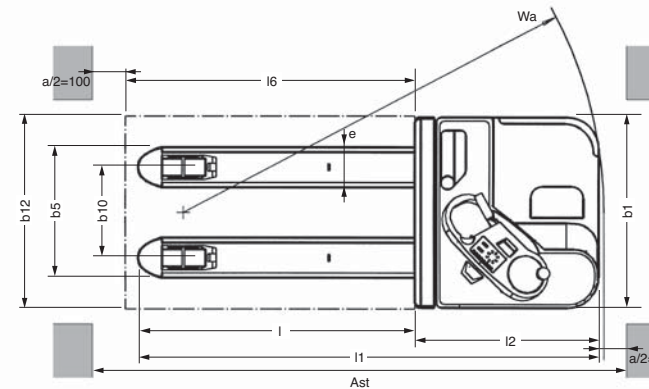
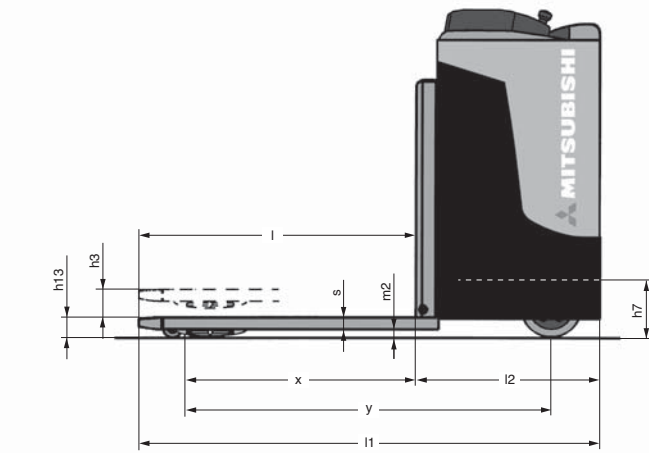


PBR20N

Characteristics				
1.01	Manufacturer (abbreviation)			Mitsubishi
1.02	Manufacturer's model designation			PBR20N
1.03	Power source (battery, diesel, LP gas, petrol)			Battery
1.04	Operator type: pedestrian, (operator)-standing, -seated			Stand-on
1.05	Load capacity	Q	[t]	2000
1.06	At Load centre	c	[mm]	600
1.08	Load wheel axle to fork face (forks lowered)	x	[mm]	961
1.09	Wheelbase	y	[mm]	1525
Weight				
2.01	Truck weight with nominal load & battery		[kg]	2780
2.02	Axle loadings with nominal load & battery, drive/load side		[kg]	1800 / 1080
2.03	Axle loadings without load & with battery, drive/load side		[kg]	220 / 660
Wheels, Drive Train				
3.01	Tyres: P=Polyurethan, PT=Power Thane, Vul= vulkollan, drive/load side			Vul / Vul
3.02	Tyre dimensions, front			250 x 100
3.03	Tyre dimensions, rear			85 x 75
3.04	Castor wheel dimensions (diameter x width)			150 x 48
3.05	Number of wheels, front/rear (x=driven)			1x+1/4
3.06	Track width (centre of tyres), load side	b10	[mm]	375-495
3.07	Track width (centre of tyres), drive side	b11	[mm]	457
4.02	Height with mast lowered	h1	[mm]	1365
4.04	Lift height	h3	[mm]	200
4.08	Platform height	h7	[mm]	239
4.15	Fork height, fully lowered	h13	[mm]	85
4.19	Overall length	l1	[mm]	1915
4.20	Length to fork face (includes fork thickness)	l2	[mm]	763
4.21	Overall width	b1/b2	[mm]	790
4.22	Fork dimensions (thickness / width / length)	s/e/l	[mm]	50 / 165 / 1150
4.25	Outside width over forks (minimum/maximum)	b5	[mm]	540-680
4.32	Ground clearance at centre of wheelbase (forks lowered)	m2	[mm]	35
4.33a	Working aisle width (Ast) with 1000 x 1200 mm pallets, load crosswise	Ast	[mm]	2396
4.33b	Working aisle width (Ast3) with 1000 x 1200 mm pallets, load crosswise	Ast3	[mm]	1989
4.34a	Working aisle width (Ast) with 800 x 1200 mm pallets, load lengthwise	Ast	[mm]	2416
4.34b	Working aisle width (Ast3) with 800 x 1200 mm pallets, load lengthwise	Ast3	[mm]	2189
4.35	Turning circle radius	Wa	[mm]	1750
Performance				
5.07	Gradeability, with/without load		[%]	6/15
5.10	Service brakes (mechanical/hydraulic/electric/pneumatic)			Electric
Electric motors				
6.01	Drive motor capacity (60 min. short duty)		[kW]	2.2
6.02	Lift motor output at 15% duty factor		[kW]	1.2
6.04	Battery voltage/capacity at 5-hour discharge		[V/Ah]	24/375-465
6.05	Battery weight		[Kg]	280-355
Miscellaneous				
8.01	Type of drive control/Lift motor (S3 15 %)			Stepless
8.04	Noise level, mean value at operator's ear		[dB(A)]	67

Features designed for maximum productivity:

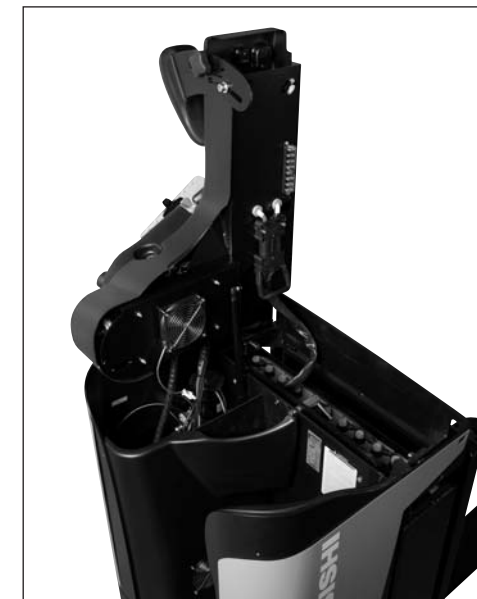
- Ergonomic, functional steering console for precise and comfortable manoeuvring
- Standard console display includes warning lights, drive direction indicator, hour meter and battery charge indicator
- Limitless 360-degree electronic steering system
- Suspended floor in operator's compartment
- Narrow overall chassis enable efficient operation
- Traction battery on rollers for easy battery exchange
- Tilting panel with gas spring for easy battery maintenance
- AC drive motor optimises performance
- Latest technology AC controller with fully programmable functions like speed, acceleration, regenerative braking, etc.
- Rounded fork tips ensure smooth pallet handling



$Ast = Wa + R + a$
 $Ast = \text{Working aisle width}$
 $Wa = \text{Turning radius}$
 $a = \text{Safety clearance} = 2 \times 100 \text{ mm}$
 $R = \sqrt{(l6 - x)^2 + (b12 / 2)^2}$

Broad selection of options:

- Cold store modifications
- In built battery charger
- Wide variety of fork dimensions
- Pallet entry and exit rollers
- Fork extensions 1450-2100 mm
- Adjustable arm rest
- Choice of drive wheels
- Inverted steering direction



The Mitsubishi PBR20N is powerful, ergonomic and easy to service.

- The PBR20N is especially designed for horizontal transport of loads up to 2.0 ton, across the longer distances in your warehouse.
- Powerful AC drive motor and state-of-the-art electronics guarantee high productivity with quick acceleration, strong regenerative braking and a high driving speed even with nominal load. Each function can be programmed separately to the application needs and the operator's preference.
- The ergonomic layout of the controls on the console contributes to smooth and easy operation. The comfortable operator's compartment has a cushioned backrest and a suspended floor, an arm rest is optional.
- A narrow overall chassis width and a fully electronic steering system with limitless 360-degree steering make the PBR20N highly manoeuvrable.
- The design of the PBR20N allows easy access to all the main components for fast service and maintenance. The controller with a tilting panel with gas spring for easy battery maintenance built-in diagnostics helps to reduce down time to minimum.

