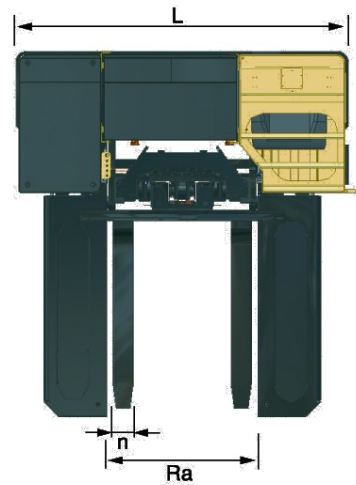
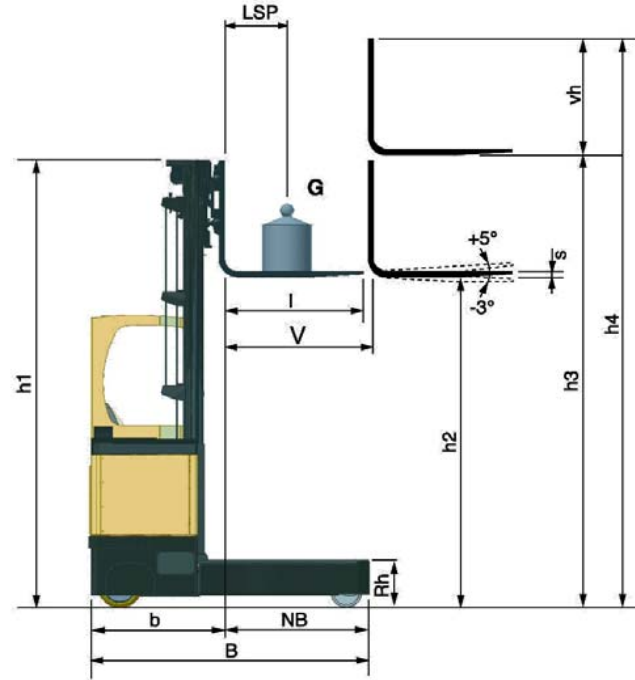
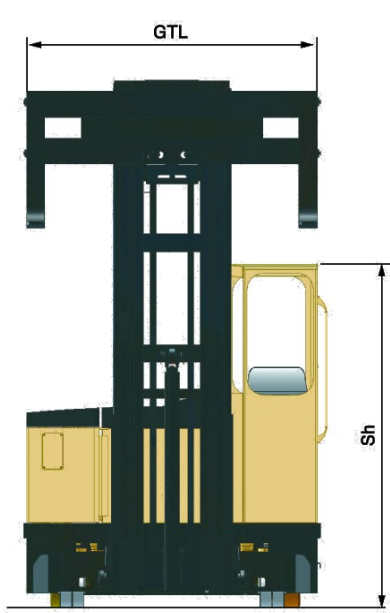
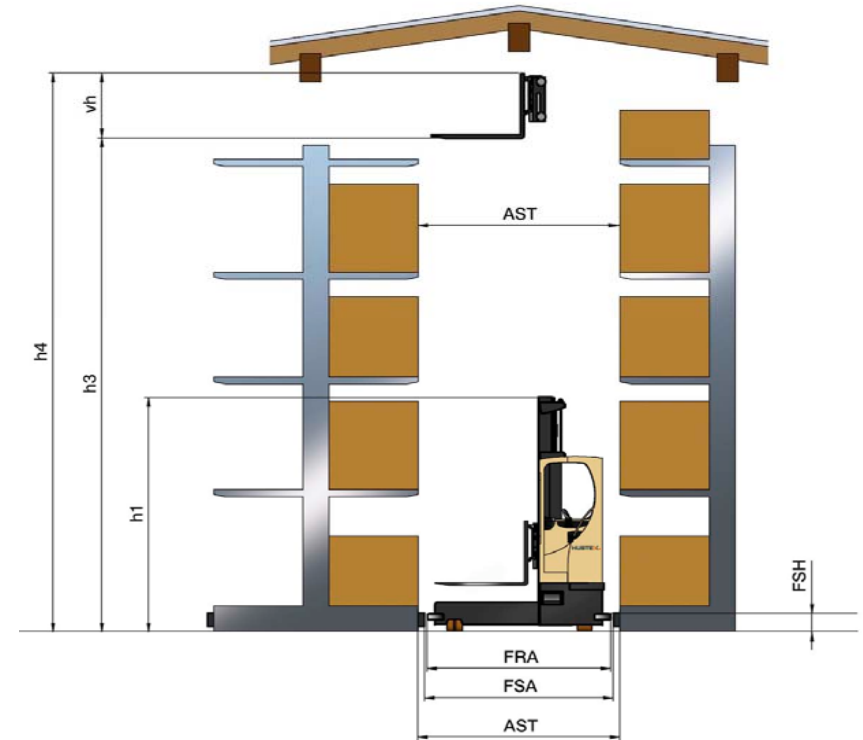


ELECTRIC MULTIDIRECTIONAL SIDELOADER

model MQ 15 – 20 – 25 – 30 AC



crosswise
seat cabin



	1.1	Series		2120-PU / -PV				2120-EL			
Characteristics	1.2	Model	Manufacturer's identification	MQ 15	MQ 20	MQ 25	MQ 30	MQ 15	MQ 20	MQ 25	
	1.3	Capacity	Q at standard h3	kg	1500	2000	2500	3000	1500	2000	2500
	1.4	Loadcenter	lc distance	mm	600	600	600	600	600	600	600
	1.6	Power supply	electric/diesel/LPG		electric	electric	electric	electric	electric	electric	electric
	1.7	Type of steering	V=fourway/M=multidirectional/2=two-way		M	M	M	M	M	M	M
	1.7.1	Position of seat	Q=cross/D=diagonal/L=lateral/SU=stand up/G=		Q	Q	Q	Q	Q	Q	Q
	1.8	Tires	PU=Vulkullan/PV=Pevopur/EL=elastic		PU / PV	PU / PV	PU / PV	PU / PV	EL	EL	EL
	1.9	Wheels (x=powered)	number	pce.	6/2X	6/2X	6/2X	6/2X	6/2X	6/2X	6/2X
	Dimensions	2.1	Mast	h3=lift height standard	mm	3000-7500	3000-7500	3000-7500	3000-7500	3000-6000	3000-6000
2.2.1		Fork cross section	S/b Thickness/width	mm	40/120	40/120	45/120	45/120	40/120	40/120	45/120
2.2.2		Fork length	length = NB	mm	800-1600	800-1600	800-1600	800-1600	800-1600	800-1400	800-1400
2.2.3		Fork tilt	standard	degree	+5/-3	+5/-3	+5/-3	+5/-3	+5/-3	+5/-3	+5/-3
2.3.1		Overall dimensions	L = Truck length	mm	2090	2090	2090	2090	2090	2090	2090
2.3.2			Sh = Height over cabin roof "Q"	mm	2450	2450	2450	2450	2475	2475	2475
2.3.3			b = Width to face of fork	mm	1030 - 1080	1030 - 1080	1030 - 1080	1030 - 1080	1030 - 1080	1030 - 1080	1030 - 1080
2.3.4			NB = Loadbed width from/to	mm	800-1600	800-1600	800-1600	800-1600	800-1600	800-1600	800-1600
2.3.5			B = Overall width (NB = 1200 mm)	mm	2230 - 2280	2230 - 2280	2230 - 2280	2230 - 2280	2230 - 2280	2230 - 2280	2230 - 2280
2.3.6			Rh = Loadbed height	mm	375	375	375	375	500	500	500
2.3.7			Ra = Loadbed opening	mm	1000	1000	1000	1000	1000	1000	1000
2.4		Mast reach	V (loadbed width 1200 mm)	mm	1300	1300	1300	1300	1300	1300	1300
2.5.2		Aisle width	AST (loadbed width 1200 mm)	mm	2430 - 3280	2430 - 3280	2430 - 3280	2430 - 3280	2430 - 3280	2430 - 3280	2430 - 3280
Wght.	3.1	Total weight	incl. battery	appr. kg	4300	4600	4800	5000	4500	4800	5000
	3.2	Floor load (static)	incl. load	N/cm2	430	450	460	480	290	295	300
Performance	4.1	Stability	according to CE-regulations	yes/no	yes	yes	yes	yes	yes	yes	yes
	4.2.1	Speeds	travel speed loaded/empty	km/h	8/8	8/8	8/8	8/8	8/8	8/8	8/8
	4.2.2		lifting speed loaded/empty	m/s	0,20/0,25	0,20/0,25	0,20/0,25	0,20/0,25	0,20/0,25	0,20/0,25	0,20/0,25
	4.2.3		lowering speed loaded/empty	m/s	0,30/0,25	0,30/0,25	0,30/0,25	0,30/0,25	0,30/0,25	0,30/0,25	0,30/0,25
	4.2.4		mast travel speed loaded/empty	m/s	0,20/0,20	0,20/0,20	0,20/0,20	0,20/0,20	0,20/0,20	0,20/0,20	0,20/0,20
4.3.1	Ramp capability	loaded/empty max.	%	8/12	8/12	8/12	7/12	6/9	6/9	6/9	
Wheels + tyres	5.1.1	Tires	number loadside/batteryside	pce.	4/2	4/2	4/2	4/2	4/2	4/2	4/2
	5.1.2		dimensions loadside	mm	250x80				377x110		
	5.1.3		dimensions batteryside	mm	343x114 (PU) / 355x160 (PV)				365x160		
	5.3	Ground clearance		mm	75	75	75	75	90	90	90
	5.4.1	Service brake			electronical plugging brake						
5.4.2	Parking brake			spring-loaded brake with electromagnetic release							
Drive unit	6.1.1	Battery	capacity	V/Ah	48 V - 4EPzS - 620 AH / 48 V - 5EPzS - 775 AH						
	6.1.2		minimum weight	kg	955	955	955	955	955	955	955
	6.2.1	Electric motors	drive motor rating (s2=60 min)	kW	2 x 2,5	2 x 2,5	2 x 2,5	2 x 2,5	2 x 2,5	2 x 2,5	2 x 2,5
	6.2.2		lift motor(s) power	kW	1 x 8,0	1 x 8,0	1 x 8,0	1 x 8,0	1 x 8,0	1 x 8,0	1 x 8,0
	6.2.3		steering motor power	kW	1 x 3,0	1 x 3,0	1 x 3,0	1 x 3,0	1 x 3,0	1 x 3,0	1 x 3,0
	6.3.1	Electric controls	type		AC-controls	AC-controls	AC-controls	AC-controls	AC-controls	AC-controls	AC-controls
	6.4	Transmission	gear type		planetary	planetary	planetary	planetary	planetary	planetary	planetary
6.5	Hydr. pressure	for attachments	bar	180	180	180	180	180	180	180	

HUBTEX Maschinenbau GmbH & Co. KG

Industriepark West ; Werner-von-Siemens-Str. 8 ; D-36041 Fulda

Tel. +49-661-8382-0 ; Fax +49-661-8382-120 ; www.hubtex.com

Technical modifications reserved! All technical data refer to the latest state of the art!

Stand: 23/01/2007

HUBTEX